

HBMX80i

Horizontal boring mill with a large work envelope and small footprint



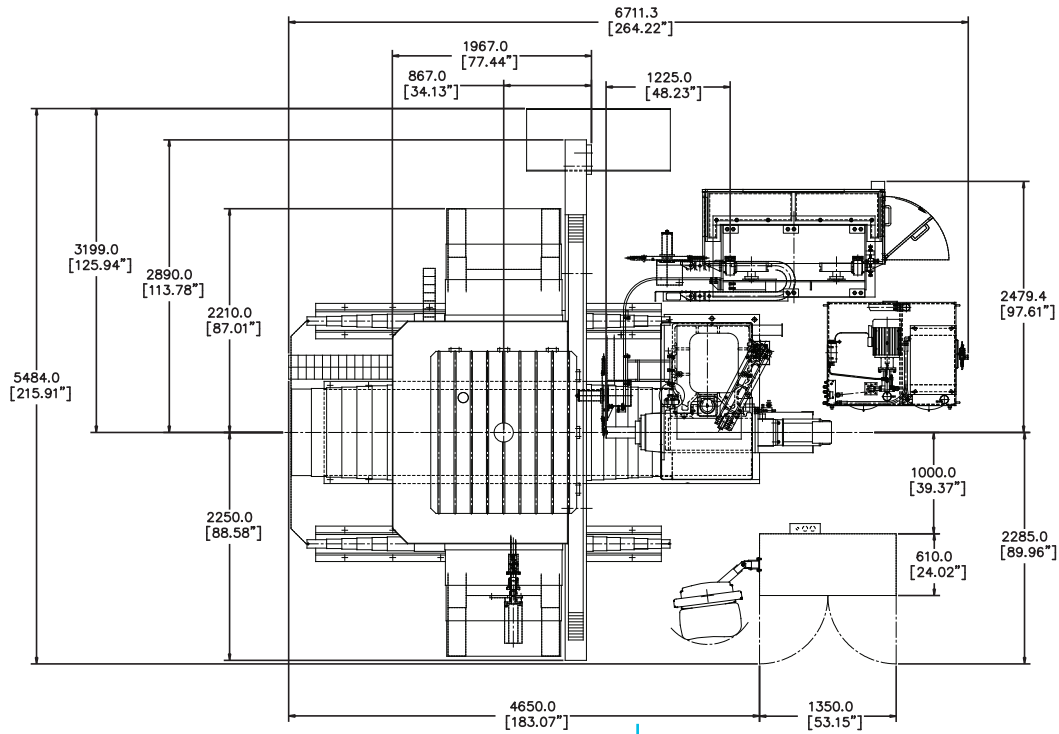
Machine Overview

- » 79 x 71 x 67 in (2,000 x 1,780 x 1,700 mm) travels
- » 57 x 63 in (1,440 x 1,600 mm) table, 13,860 lbs (6,300 kg) capacity
- » 2,500 (high gear) 454 (low gear) RPM Spindle
- » 40.2 HP (30 kW) peak spindle
- » 50T with 60 station automatic swing-arm ATC
- » Brushless AC Servos
- » WinMax Mill Conversational or NC programming
- » Solid cast iron frame
- » Box way construction
- » Double-nut pretensioned ball screws
- » 19.7 in (500 mm) travel for W-axis
- » 4.3 in (110 mm) quill spindle
- » Full contouring B-Axis
- » MAX5 ergonomically designed console with two 19" LCD screens
- » Robust control specifications (standard) –
2.7GHz Dual Core Processor, 4GB RAM Memory,
128GB Solid State Hard Drive, 10,000 block lookahead

Did you know? The 3D Import feature on the Hurco control creates Transform Planes automatically for easy three-axis, four and five-sided conversational programming. No need to enter feature dimensions—simply click and cut. Plus, integrated CAD/CAM and tool path simulation. **Find out more at Hurco.com/3DImport.**

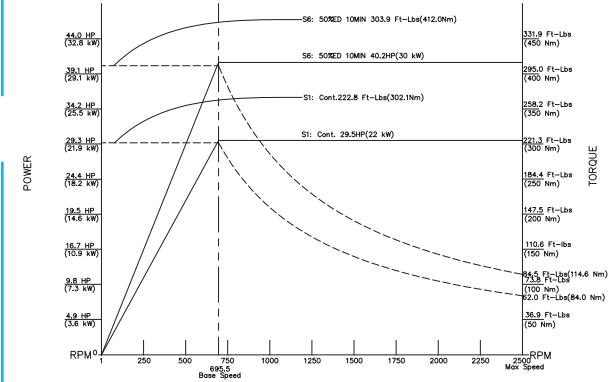
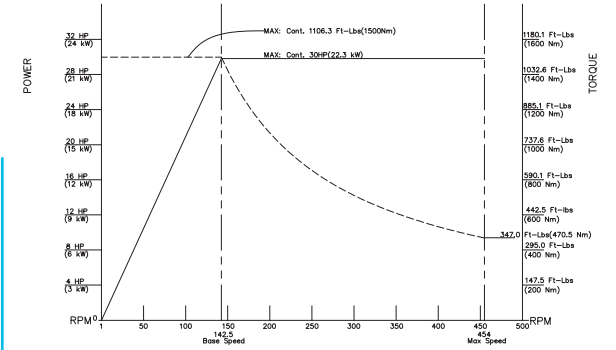
Machine specifications can be found on Page 21

POWER & CAPACITY HBMX80i



OPERATING DIMENSIONS

POWER & TORQUE



INTERIOR CLEARANCES

PALLET SPECIFICATION

